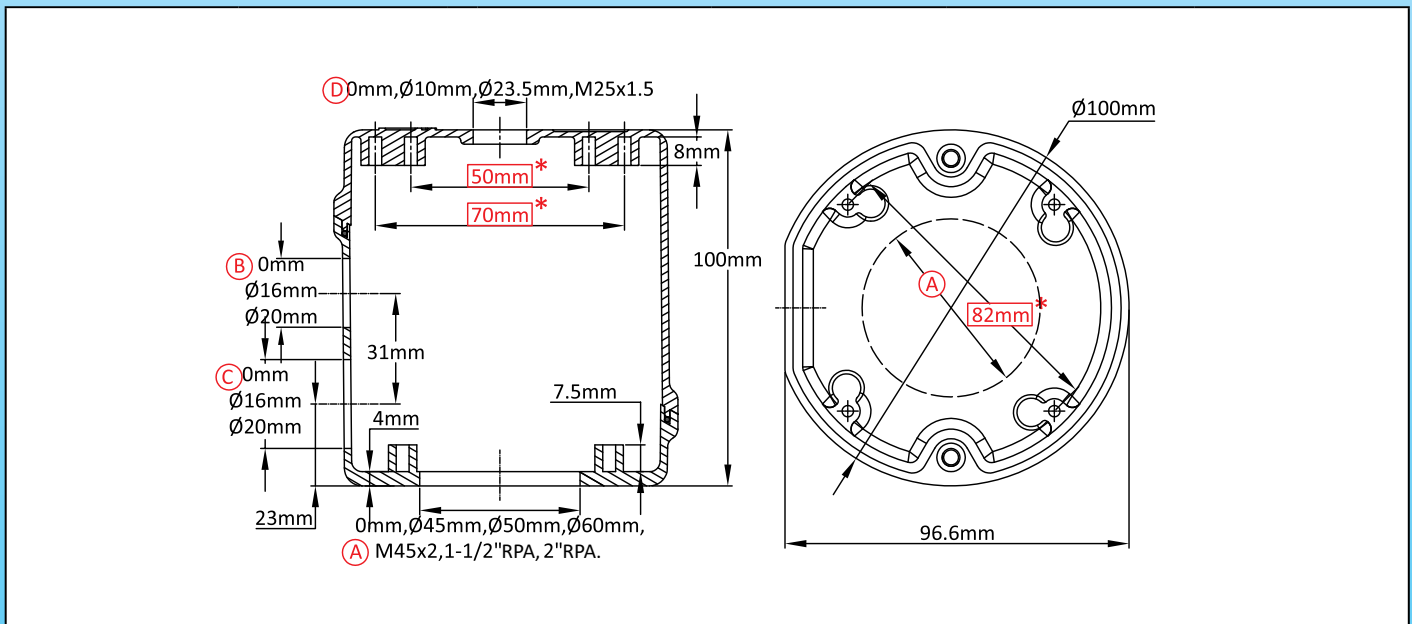




Tamaño (mm)	Volumen (cm ³)	Material	Grado de protección		Modelo
Diámetro 100 x 100	700	PA66	IP69K	IK10	Y306 (P1)

Apto para
<input type="checkbox"/> Sensor de temperatura
<input checked="" type="checkbox"/> Calentador en inmersión
<input type="checkbox"/> Calentador de aletas
<input checked="" type="checkbox"/> Termostato
<input type="checkbox"/> Sensor de nivel
<input type="checkbox"/> Placa electrónica



Referencias principales

A (mm)	B (mm)	C (mm)	D (mm)	Referencias	A (mm)	B (mm)	C (mm)	D (mm)	Referencias
0	0	0	0	Y30600000000000T	0	16	20	10	Y306000A2C00000T
0	0	0	10	Y306000A0000000T	0	16	20	23,5	Y306000D2C00000T
0	0	0	23,5	Y306000D0000000T	0	16	20	M25x1,5	Y306000F2C00000T
0	0	0	M25x1,5	Y306000F0000000T	0	20	20	0	Y30600002200000T
0	0	16	0	Y30600001160000T	0	20	20	10	Y306000A2200000T
0	0	16	10	Y306000A1160000T	0	20	20	23,5	Y306000D2200000T
0	0	16	23,5	Y306000D1160000T	0	20	20	M25x1,5	Y306000F2200000T
0	0	16	M25x1,5	Y306000F1160000T	45	0	0	0	Y30645000000000T
0	0	20	0	Y30600001200000T	45	0	0	10	Y306450A00000000T
0	0	20	10	Y306000A1200000T	45	0	0	23,5	Y306450D00000000T
0	0	20	23,5	Y306000D1200000T	45	0	0	M25x1,5	Y306450F00000000T
0	0	20	M25x1,5	Y306000F1200000T	45	0	16	0	Y30645001160000T
0	16	16	0	Y30600002160000T	45	0	16	10	Y306450A1160000T
0	16	16	10	Y306000A2160000T	45	0	16	23,5	Y306450D1160000T
0	16	16	23,5	Y306000D2160000T	45	0	16	M25x1,5	Y306450F1160000T
0	16	16	M25x1,5	Y306000F2160000T	45	0	20	0	Y30645001200000T
0	16	20	0	Y30600002C00000T	45	0	20	10	Y306450A1200000T

No se incluye la glándula de cables en estas referencias, consúltenos si las desea.

Las dimensiones en rojo dentro de los marcos rectangulares en los dibujos se utilizan para el ensamblaje de accesorios.

Debido a la mejora constante de nuestros productos, los dibujos, descripciones y características utilizadas en estas fichas técnicas son solo orientativos y pueden ser modificados sin aviso previo

Carcasa redonda para calentador en inmersión o sensor de temperatura

**Y306
(P2)**



Debido a la mejora constante de nuestros productos, los dibujos, descripciones y características utilizadas en estas fichas técnicas son solo orientativos y pueden ser modificados sin aviso previo

A (mm)	B (mm)	C (mm)	D (mm)	Referencias
45	0	20	23,5	Y306450D1200000T
45	0	20	M25x1,5	Y306450F1200000T
45	16	16	0	Y306450021600000T
45	16	16	10	Y306450A21600000T
45	16	16	23,5	Y306450D21600000T
45	16	16	M25x1,5	Y306450F21600000T
45	16	20	0	Y30645002C000000T
45	16	20	10	Y306450A2C000000T
45	16	20	23,5	Y306450D2C000000T
45	16	20	M25x1,5	Y306450F2C000000T
45	20	20	0	Y306450022000000T
45	20	20	10	Y306450A22000000T
45	20	20	23,5	Y306450D22000000T
45	20	20	M25x1,5	Y306450F22000000T
50	0	0	0	Y306500000000000T
50	0	0	10	Y306500A00000000T
50	0	0	23,5	Y306500D00000000T
50	0	0	M25x1,5	Y306500F00000000T
50	0	16	0	Y306500016000000T
50	0	16	10	Y306500A16000000T
50	0	16	23,5	Y306500D16000000T
50	0	16	M25x1,5	Y306500F16000000T
50	0	20	0	Y306500020000000T
50	0	20	10	Y306500A20000000T
50	0	20	23,5	Y306500D20000000T
50	0	20	M25x1,5	Y306500F20000000T
50	16	16	0	Y306500021600000T
50	16	16	10	Y306500A21600000T
50	16	16	23,5	Y306500D21600000T
50	16	16	M25x1,5	Y306500F21600000T
50	16	20	0	Y306500022000000T
50	16	20	10	Y306500A22000000T
50	16	20	23,5	Y306500D22000000T
50	16	20	M25x1,5	Y306500F22000000T
60	0	0	0	Y306600000000000T
60	0	0	10	Y306600A00000000T
60	0	0	23,5	Y306600D00000000T
60	0	0	M25x1,5	Y306600F00000000T
60	0	16	0	Y306600016000000T
60	0	16	10	Y306600A16000000T
60	0	16	23,5	Y306600D16000000T
60	0	16	M25x1,5	Y306600F16000000T
60	0	20	0	Y306600020000000T
60	0	20	10	Y306600A20000000T
60	0	20	23,5	Y306600D20000000T
60	0	20	M25x1,5	Y306600F20000000T
60	16	16	0	Y306600021600000T
60	16	16	10	Y306600A21600000T
60	16	16	23,5	Y306600D21600000T
60	16	16	M25x1,5	Y306600F21600000T
60	16	20	0	Y30660002C000000T
60	16	20	10	Y306600A2C000000T
60	16	20	23,5	Y306600D2C000000T
60	16	20	M25x1,5	Y306600F2C000000T
60	20	20	0	Y306600022000000T
60	20	20	10	Y306600A22000000T
60	20	20	23,5	Y306600D22000000T
60	20	20	M25x1,5	Y306600F22000000T
M45x2	0	0	0	Y306M45000000000T
M45x2	0	0	10	Y306M45A00000000T
M45x2	0	0	23,5	Y306M45D00000000T
M45x2	0	0	M25x1,5	Y306M45F00000000T
M45x2	0	16	0	Y306M45016000000T

A (mm)	B (mm)	C (mm)	D (mm)	Referencias
M45x2	0	16	10	Y306M45A16000000T
M45x2	0	16	23,5	Y306M45D16000000T
M45x2	0	16	M25x1,5	Y306M45F16000000T
M45x2	0	20	0	Y306M45012000000T
M45x2	0	20	10	Y306M45A12000000T
M45x2	0	20	23,5	Y306M45D12000000T
M45x2	0	20	M25x1,5	Y306M45F12000000T
M45x2	16	16	0	Y306M45021600000T
M45x2	16	16	10	Y306M45A21600000T
M45x2	16	16	23,5	Y306M45D21600000T
M45x2	16	16	M25x1,5	Y306M45F21600000T
M45x2	16	20	0	Y306M4502C000000T
M45x2	16	20	10	Y306M45A2C000000T
M45x2	16	20	23,5	Y306M45D2C000000T
M45x2	16	20	M25x1,5	Y306M45F2C000000T
M45x2	20	20	0	Y306M45022000000T
M45x2	20	20	10	Y306M45A22000000T
M45x2	20	20	23,5	Y306M45D22000000T
M45x2	20	20	M25x1,5	Y306M45F22000000T
M45x2	20	20	16	Y306M45022000000T
M45x2	20	20	10	Y306M45A22000000T
M45x2	20	20	23,5	Y306M45D22000000T
M45x2	20	20	M25x1,5	Y306M45F22000000T
1½" RPA	0	0	0	Y306BA2000000000T
1½" RPA	0	0	10	Y306BA2A00000000T
1½" RPA	0	0	23,5	Y306BA2D00000000T
1½" RPA	0	0	M25x1,5	Y306BA2F00000000T
1½" RPA	0	16	0	Y306BA2011600000T
1½" RPA	0	16	10	Y306BA2A11600000T
1½" RPA	0	16	23,5	Y306BA2D11600000T
1½" RPA	0	16	M25x1,5	Y306BA2F11600000T
1½" RPA	0	20	0	Y306BA2012000000T
1½" RPA	0	20	10	Y306BA2A12000000T
1½" RPA	0	20	23,5	Y306BA2D12000000T
1½" RPA	0	20	M25x1,5	Y306BA2F12000000T
1½" RPA	16	16	0	Y306BA2021600000T
1½" RPA	16	16	10	Y306BA2A21600000T
1½" RPA	16	16	23,5	Y306BA2D21600000T
1½" RPA	16	16	M25x1,5	Y306BA2F21600000T
1½" RPA	16	20	0	Y306BA202C000000T
1½" RPA	16	20	10	Y306BA2A2C000000T
1½" RPA	16	20	23,5	Y306BA2D2C000000T
1½" RPA	16	20	M25x1,5	Y306BA2F2C000000T
1½" RPA	20	20	0	Y306BA2022000000T
1½" RPA	20	20	10	Y306BA2A22000000T
1½" RPA	20	20	23,5	Y306BA2D22000000T
1½" RPA	20	20	M25x1,5	Y306BA2F22000000T
2" RPA	0	0	0	Y306BB2000000000T
2" RPA	0	0	10	Y306BB2A00000000T
2" RPA	0	0	23,5	Y306BB2D00000000T
2" RPA	0	0	M25x1,5	Y306BB2F00000000T
2" RPA	0	16	0	Y306BB2011600000T
2" RPA	0	16	10	Y306BB2A11600000T
2" RPA	0	16	23,5	Y306BB2D11600000T
2" RPA	0	16	M25x1,5	Y306BB2F11600000T
2" RPA	0	20	0	Y306BB2012000000T
2" RPA	0	20	10	Y306BB2A12000000T
2" RPA	0	20	23,5	Y306BB2D12000000T
2" RPA	0	20	M25x1,5	Y306BB2F12000000T
2" RPA	16	16	0	Y306BB2021600000T
2" RPA	16	16	10	Y306BB2A21600000T
2" RPA	16	16	23,5	Y306BB2D21600000T
2" RPA	16	16	M25x1,5	Y306BB2F21600000T
2" RPA	16	20	0	Y306BB202C000000T
2" RPA	16	20	10	Y306BB2A2C000000T
2" RPA	16	20	23,5	Y306BB2D2C000000T
2" RPA	16	20	M25x1,5	Y306BB2F2C000000T
2" RPA	20	20	0	Y306BB2022000000T
2" RPA	20	20	10	Y306BB2A22000000T
2" RPA	20	20	23,5	Y306BB2D22000000T
2" RPA	20	20	M25x1,5	Y306BB2F22000000T